

Exploded Diagram

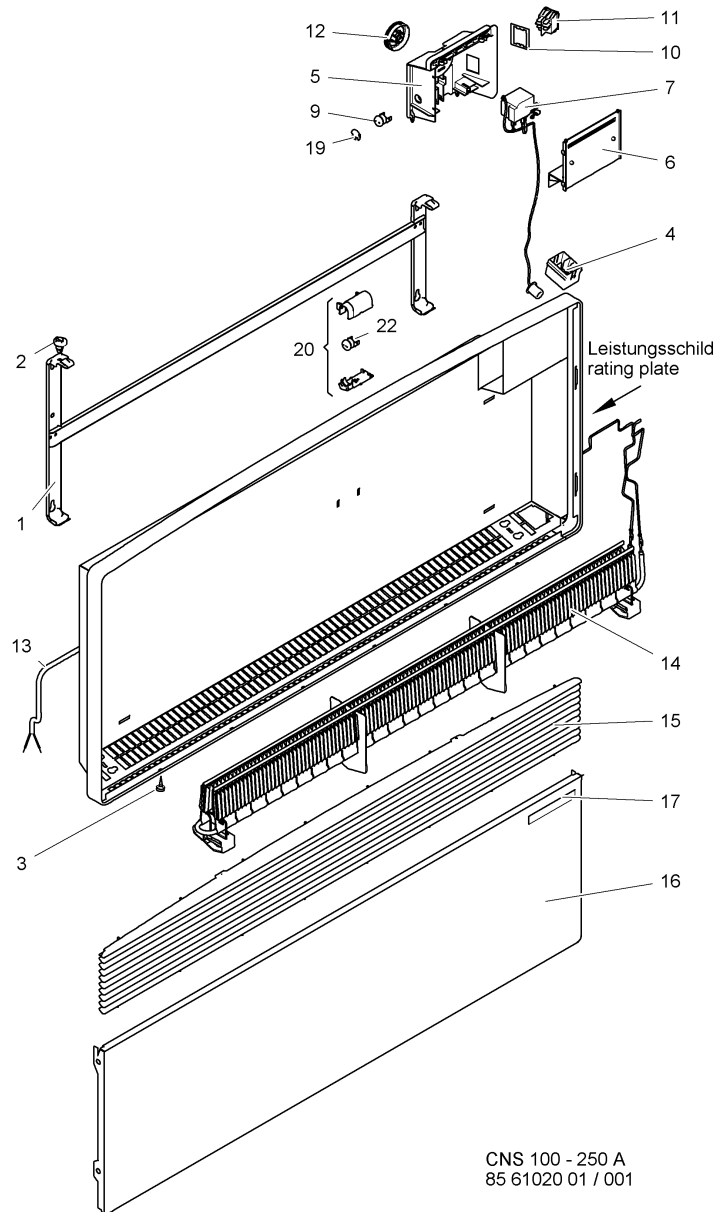
CNS100 | CNS150 | CNS200 | CNS250

Convection wall mounted panel heater

Product Code 220734 | 220735 | 220736 | 220737

STIEBEL ELTRON

Technik zum Wohlfühlen



POS.	PRODUCT CODE	DESCRIPTION	NUMBER	PRODUCT CODE	DESCRIPTION
14	265743	1000kW ELEMENT	7	265982	THERMOSTAT/CONTROL
14	265745	1500kW ELEMENT	1	266003	BRACKET CNS100
14	265747	2000kW ELEMENT	1	266002	BRACKET CNS150
14	265748	2500kW ELEMENT	1	266001	BRACKET CNS200
9	265914	THERMAL CUT OFF	1	266000	BRACKET CNS250
11	272323	ON/OFF SWITCH			

STIEBEL ELTRON is committed to our policy of continual improvement, some features may have subsequently been changed or even removed. Our advisors will be happy to consult with you regarding the currently applicable equipment features. The images used in this brochure are for reference only.