

# Data Sheet

## CK 20S | CKZ 20S

Fan assisted wall mounted space heater  
Modern slim line design

**STIEBEL ELTRON**

Technik zum Wohlfühlen



CKZ 20S

### The advantages

- › Quiet cross flow fan
- › Slim line curved design
- › Automatic switch off when room reaches desired temperature
- › Safety thermal cut out
- › Temperature adjustment range between 6-30°C
- › 24 hour quartz time switch (CKZ 20)
- › Operates on standard GPO 10 Amp 240V

#### Warranty

For full warranty information please visit [www.stiebel.com.au](http://www.stiebel.com.au).

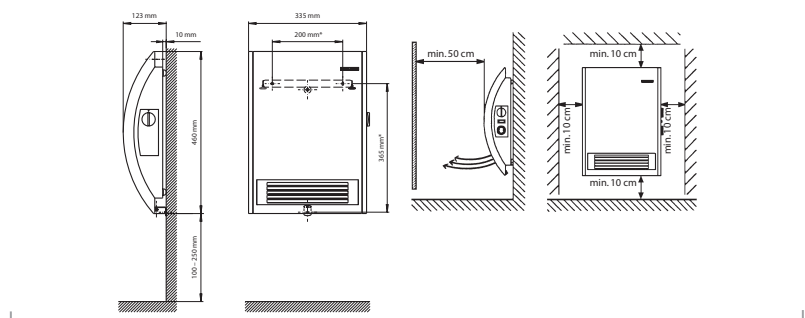
#### Technical Support

Stiebel Eltron (Aust) Pty Ltd  
Free Call (Australia): 1800 153 351  
Telephone: (03) 9645 1833  
Website: [stiebel.com.au](http://stiebel.com.au)

#### FAN ASSISTED SPACE HEATER

MODEL NUMBER	CK 20	CKZ 20S
Power consumption	2kW	2kW
Connectable load	230-240V	230-240V
Temperature adjustment range	= 6-30°C	
IP Rating	IP 13 B	IP 13 B
Height	460 mm	460 mm
Width	335 mm	335 mm
Depth	123 mm	123 mm
Depth with wall bracket	-	-
Weight	=4.4 kg	=4.4 kg
Colour	White	White
24 hour quartz time switch	-	Yes

#### CK wall mounted fan assisted heater



STIEBEL ELTRON is committed to our policy of continual improvement, some features may have subsequently been changed or even removed. Our advisors will be happy to consult with you regarding the currently applicable equipment features. The images used in this brochure are for reference only.