

# German engineered hot water

Stiebel Eltron DHF Continuous Flow 3 Phase Power Water Heater

› DHF 13 | DHF 15

- › German Engineered - Designed for Australian conditions
- › Compact space saving design for installation flexibility
- › No safe tray, drainage or ventilation required
- › Cost effective and easy changeover unit for existing 3 phase electric water heaters in New South Wales
- › Creates hot water on demand
- › Hydraulically controlled
- › 5 years full parts and labour warranty<sup>1</sup>



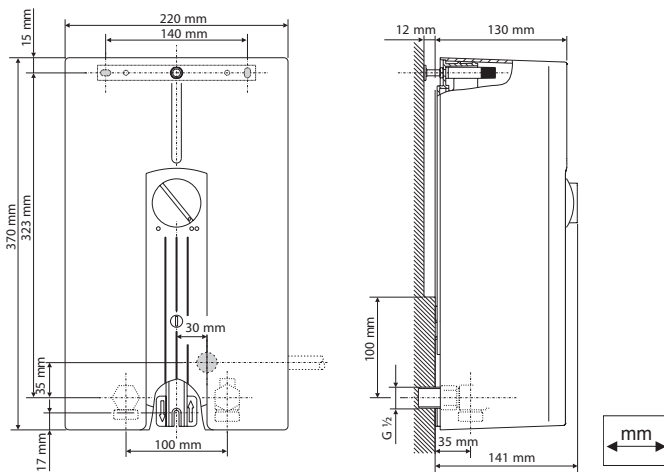
**STIEBEL ELTRON**

Technik zum Wohlfühlen

# Technical Data

Model	DHF 13	DHF 15
Type of system	3 phase electric continuous flow water heater	3 phase electric continuous flow water heater
Electrical connection	14.6kW, 19.7Amps Per Phase (3 Phase 415V)	16.1kW, 22.5Amps Per Phase (3 Phase 415V)
Electrical installation	As per AS3000	As per AS3000
Normal output (dial selection)	Position ●: 7.1kW, Position ●●: 14.2kW	Position ●: 8.05kW, Position ●●: 16.1kW
Permissible operating pressure	1000kPa	1000kPa
Switch on flow rate	Half power 3.0L/min, Full power 4.3L/min	Half power 3.2L/min, Full power 4.8L/min
Element type	Copper tubular heating element	Copper tubular heating element
Installation requirements	AS3500.4.2 & Local authority regulations	AS3500.4.2 & Local authority regulations
I.P Rating	IP24	IP24
Approvals	WaterMark LIC No. WMKA00301, AS3498	WaterMark LIC No. WMKA00301, AS3498
<b>Dimensions</b>		
Height	370mm	370mm
Width	220mm	220mm
Depth	130mm	130mm
<b>Weights</b>		
Weight	4kg	4kg
Nominal capacity	0.6 litres	0.6 litres

**Please note:** Check with a qualified tradesperson to determine which Stiebel Eltron model is suitable for replacement of your existing water heater



  
**German Engineered**  
  
**WaterMark**  
 LIC No. WMKA00301  
 AS3498  
  
**5 Year Domestic Warranty<sup>1</sup>**



### Temperature rise:

Add the below temperature to the cold water inlet temperature. Temperature is calculated at DHF setting position ●●

	6L/min	8L/min	10L/min	12L/min
<b>DHF 13</b>	35°C	26°C	21°C	17°C
<b>DHF 15</b>	38°C	29°C	23°C	19°C

**Please note:** Delivery of water at over 6.5L/min is a mixed volume of both hot and cold water.

<sup>1</sup>: 5 year domestic warranty. 1 year commercial warranty. For more information and warranty conditions please visit [www.stiebel.com.au](http://www.stiebel.com.au)

## AFTER SALES AND SERVICE

STIEBEL ELTRON AUSTRALIA has an in-house local Customer Service Centre to assist with all after sales, warranty and technical service enquiries.

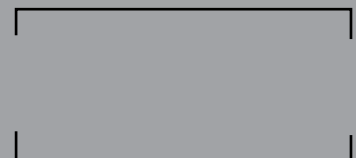
FREE CALL 1800 153 351 (AUSTRALIA)

CALL 0800 200 510 (NEW ZEALAND)

STIEBEL.COM.AU

Stiebel Eltron (Australia) A.B.N. 82 066 271 083 – All information was correct at the time of printing. Specifications may change without notice. For more information please contact Stiebel Eltron on 1800 153 351.

AVAILABLE FROM:



**STIEBEL ELTRON**

Technik zum Wohlfühlen