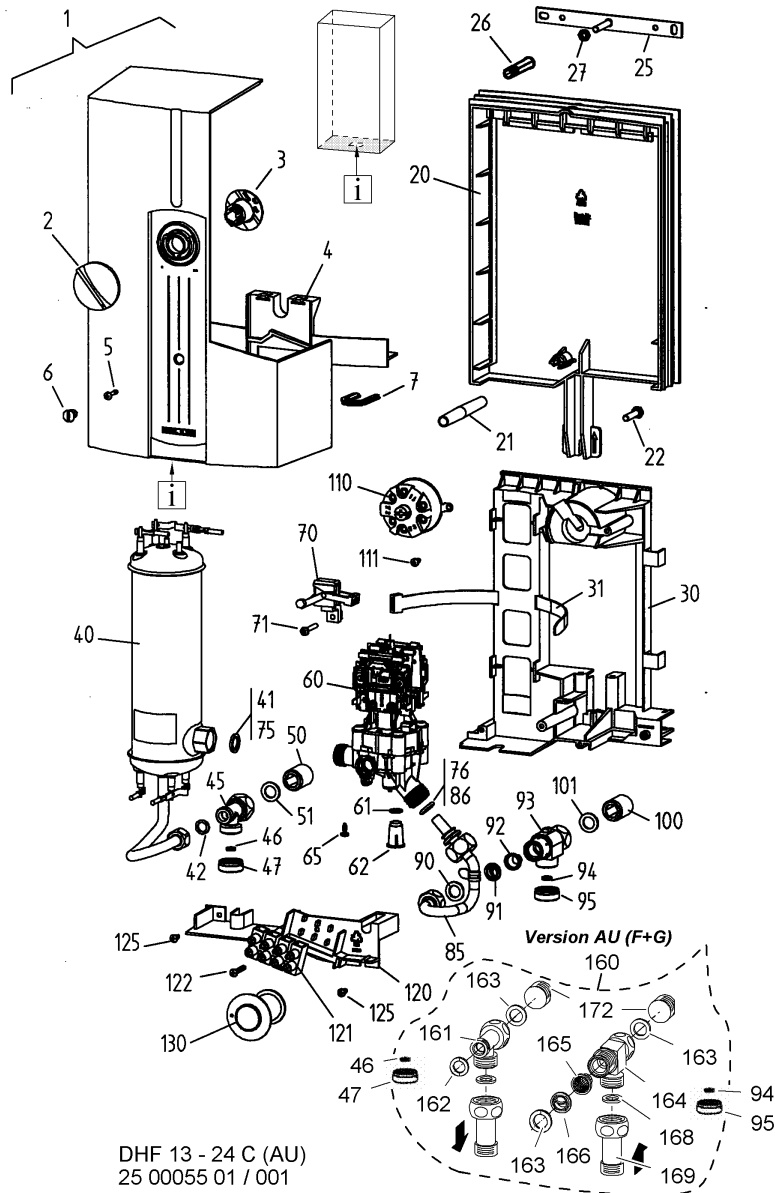


Exploded Diagram

DHF 13 C AU | DHF C 15 AU

Instantaneous 3 Phase Electric Water Heater

Product Code 222214 | 233985



| POS. | PRODUCT CODE | DESCRIPTION | NUMBER | PRODUCT CODE | DESCRIPTION |
|------|--------------|-------------------------|--------|--------------|-------------------------|
| 40 | 170231 | DHF13 ELEMENT | 60 | 170468 | DIFF PRESS SWITCH MRC15 |
| 40 | 170232 | DHF15 ELEMENT | 110 | 170941 | TEMP/PRESSURE LIMITER |
| 60 | 170467 | DIFF PRESS SWITCH MRC13 | | | |

STIEBEL ELTRON is committed to our policy of continual improvement, some features may have subsequently been changed or even removed. Our advisors will be happy to consult with you regarding the currently applicable equipment features. The images used in this brochure are for reference only.