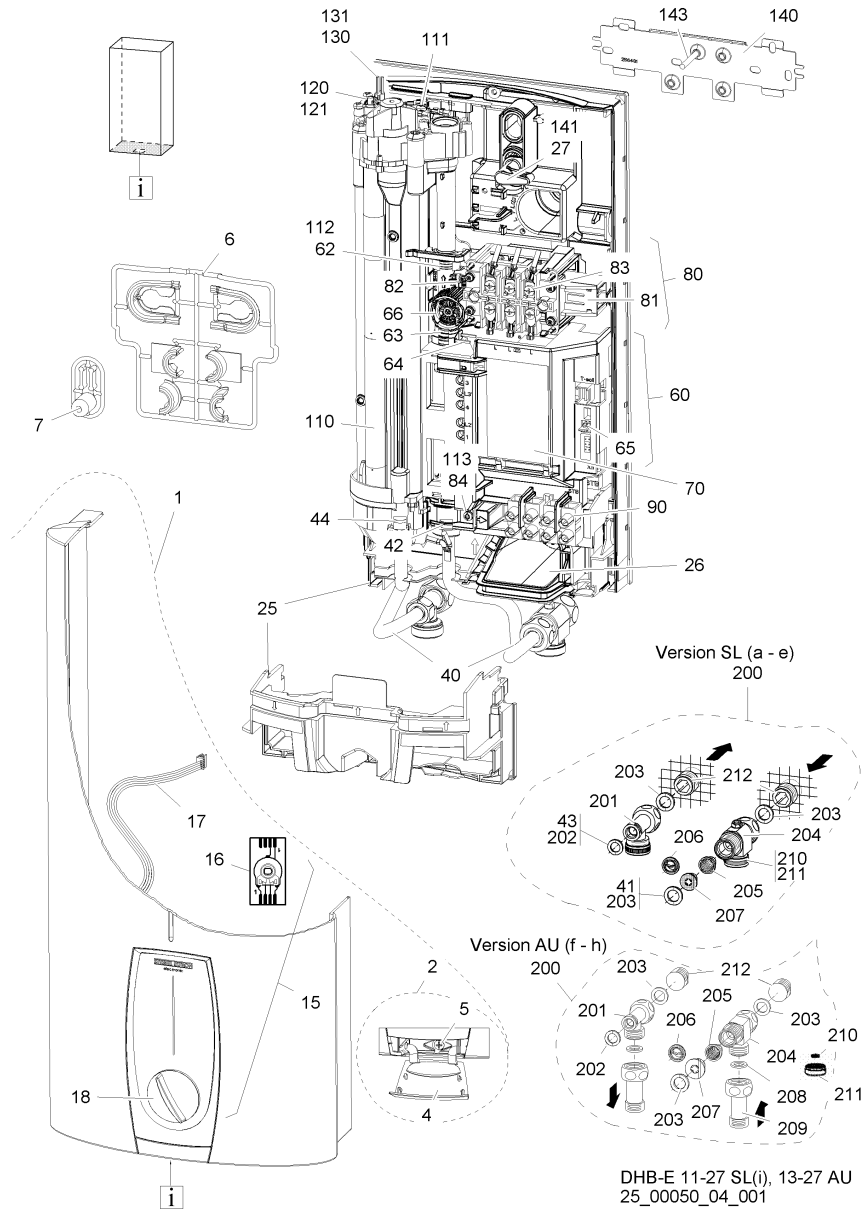


# Exploded Diagram

## DHB-E 13 AU | DHB-E 18 AU | DHB-E 27 AU

### Instantaneous 3 Phase Electric Water Heater

Product Code 232360 | 233986 | 233987



POS.	PRODUCT CODE	DESCRIPTION	NUMBER	PRODUCT CODE	DESCRIPTION
110	298053	13,000W ELEMENT	40	284491	INLET/OUTLET PIPES (PAIR)
110	283809	18,000W ELEMENT	130	257069	NTC TEMP SENSOR
110	283811	27,000W ELEMENT	15	297888	COVER/ CONTROL ASSY
80	220242	AIR RECOGNITION ASSEMBLY AP3	60	297886	ELECTRICAL ASSEMBLY PCB
66	284855	FLOW SENSOR WHEEL			

STIEBEL ELTRON is committed to our policy of continual improvement, some features may have subsequently been changed or even removed. Our advisors will be happy to consult with you regarding the currently applicable equipment features. The images used in this brochure are for reference only.