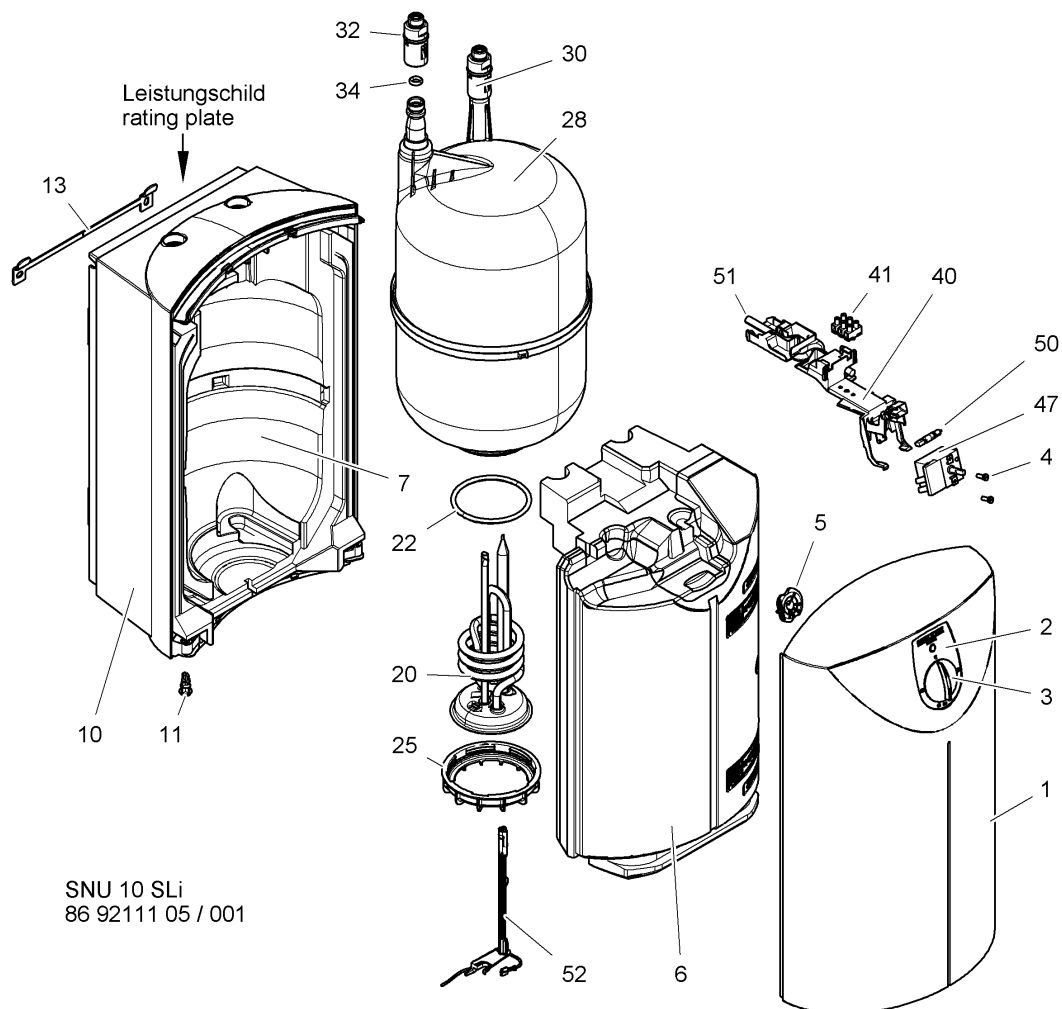


# Exploded Diagram

## SNU 5 Under Sink | SNU 10 Under Sink Compact Point of Use Storage Water Heater

Product Code 229467 | 229468



SNU 10 SLi  
86 92111 05 / 001

POS.	PRODUCT CODE	DESCRIPTION	NUMBER	PRODUCT CODE	DESCRIPTION
20	270076	SNU5/10 ELEMENT	52	279802	OVER TEMP LIMITER
47	247453	THERMOSTAT/CONTROL	30	267725	INLET / OUTLET CONNECTOR

STIEBEL ELTRON is committed to our policy of continual improvement, some features may have subsequently been changed or even removed. Our advisors will be happy to consult with you regarding the currently applicable equipment features. The images used in this brochure are for reference only.